

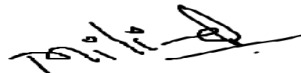
**Subject:- Web Designing & Internet Applications**

**e-Content-L14:How to Add Links , background colors in HTML**

**SIR CHHOTU RAM INSTITUTE OF ENGINEERING AND TECHNOLOGY**  
**CH.CHARAN SINGH UNIVERSITY MEERUT**  
**Self Declaration**

“ It is hereby declared that E-Content submitted herewith, related to B.Tech 3<sup>rd</sup> Sem AG , Subject:- Web Designing and Internet Applications ,”**L-14, How to add Links, Background colors in HTML**” are meant for academic purposes and for enhancing the teaching and learning. Any other use for economic/commercial purpose is strictly prohibited. The users of the content shall not distribute, disseminate or share it with anyone and its use is restricted to the advancement of individual knowledge. The content being related to teaching & learning of under graduate courses are prepared with the help of existing literature available in different forms through offline and online portals. The content of the course are authentic and best of my knowledge.”

Compiled by



(Milind)

Dept. of Computer Sci. Engg  
SCRIET,C.C.S University, Meerut  
Mob:9410031124  
Email-milindccsu@yahoo.com

## How to ADD LINKS in HTML

- If you want to link a different site or any other web page, then you have to use <a> tag also known as anchor tag. If your web page is named "something.html" and is stored in the folder named "webpages" and you wanna link it to your web pages, then you will use the following code:-

**<a href="webpages/something.html" rel="nofollow" target="\_blank" >Something</a>**

This code will display the text "Something" in a underlined blue font, the same as this one Wonder HowTo. If you want to change the color of the unvisited , visited and active link, then you have to use the following attribute with the <body> tag:-

**<body link="blue" alink="purple" vlink="red">**

- If you want to link any Website to your web page then use the URL of that web page withing the <a> tag -

**<a href="https://www.wonderhowto.com/">WonderHowTo</a>**

## GIVE NAME to ANY SECTION of YOUR WEB PAGE

- You can use "name" attribute of the <a> tag to give unique name to any section of your web page. In other words, You create a bookmark within your web page. You can use this bookmark to create links directly to this section -

**<a name="section name">My section</a>**

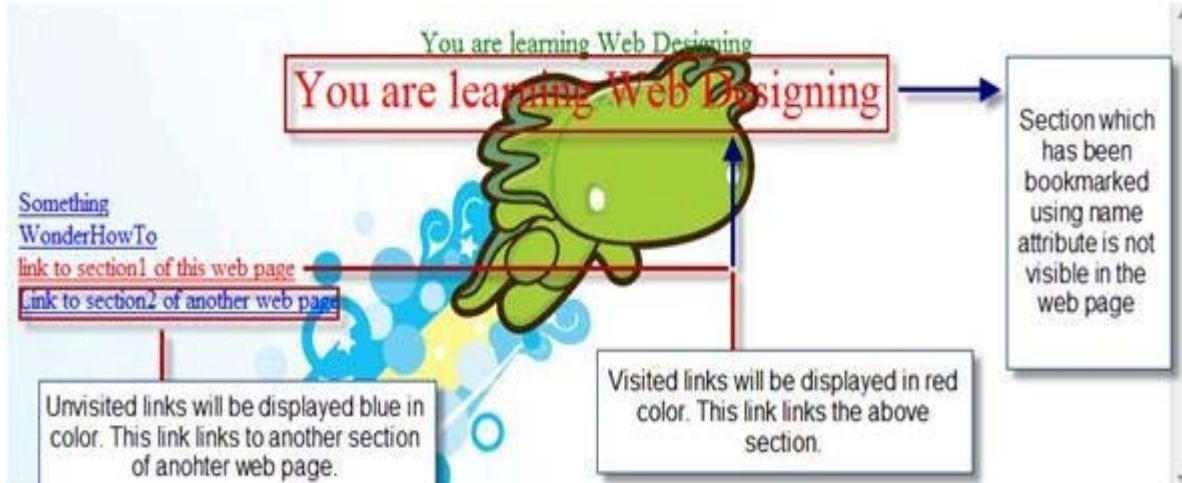
- Now you can create direct links to the section named "My section" withing the same web page using this code format -

**<a href="#section name" rel="nofollow" target="\_blank" >Link to My section of this web page</a>**

- If you want to link this section from another web page, then use this code format:-

**<a href="ck.html#section name">Link to the My section of ck web page</a>**

The output could be like this one:-



### ADDING CLICKABLE IMAGE

- To make any image clickable, you just need to use `<a>` tag before the `<img>` tag.

Here is an example:

```
<a href="http://google.com" rel="nofollow" target="_blank" ></a>
```

So, any click on this image will redirect the web browser to google.com

### ADDING TABLES to YOUR WEB PAGE

- You add tables in you web page using `<table>` tag. For rows you have to use `<tr>` tag and each column is divided into cells using `<td>` tag. The syntax of `<table>` tag:-

```
<table><tr><td>xxxxxxxxxxxx</td><td>xxxxxxxxxxxx</td></tr>
<tr><td>xxxxxxxxxxxx</td><td>xxxxxxxxxxxxxxxxxxxx</td></tr>
</table>
```

```
XXXXXXXXXXXXX XXXXXXXXXXXXXXXX
XXXXXXXXXXXXXXXXXXXXXXXXXXXXX
```

without border attribute

XXXXXXXXXXXXX	XXXXXXXXXXXXX
XXXXXXXXXXXXXXXXXXXXX	XXXXXXXXXXXXXXXXXXXXXXXXXXXXX

Using border attribute

XXXXXXXXXXXXX	XXXXXXXXXXXXX
XXXXXXXXXXXXXXXXXXXXX	XXXXXXXXXXXXXXXXXXXXXXXXXXXXX

```
<table style="border:10 solid green">
```

using style attribute you can add border color

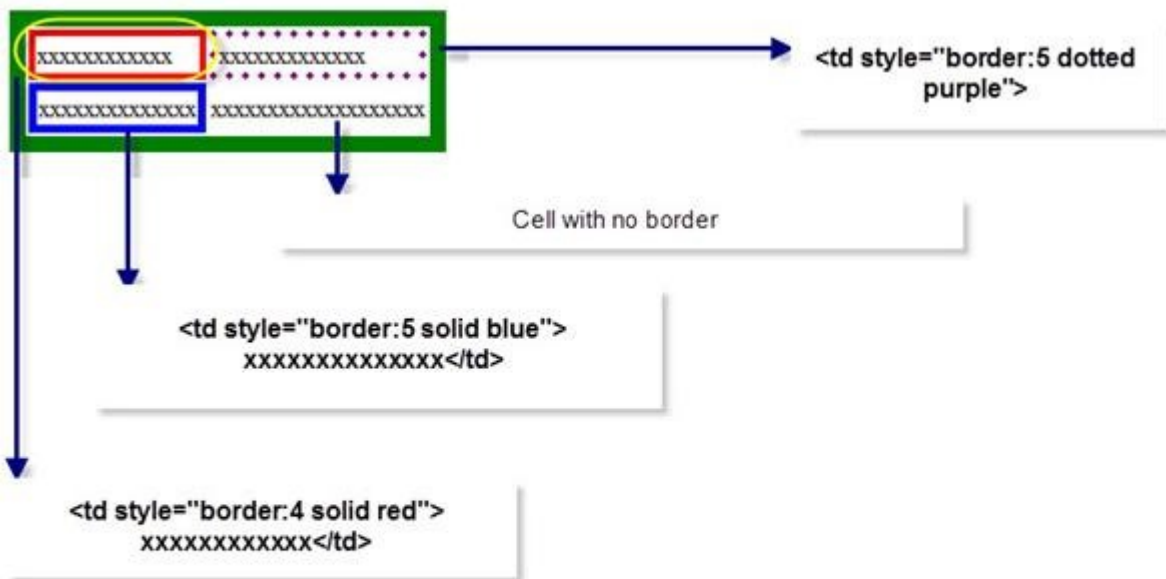
XXXXXXXXXXXXX	XXXXXXXXXXXXX
XXXXXXXXXXXXXXXXXXXXX	XXXXXXXXXXXXXXXXXXXXXXXXXXXXX

```
<table style="border:10 dotted green">
```

using dotted instead of solid will give this affect

If you will use "border" attribute then assign it some value then the table will be displayed with borders but if you will not use "border" attribute, the the table will have no border. You can also assign different colors to border.

If you want to give different border size and color to each cell, then separately use "style" attribute with <td> tag.



The complete html code of this table will be like this:

```
<table style="border:10 solid green"><tr><td style="border:4 solid red">XXXXXXXXXXXXX</td>
<td style="border:5 dotted purple">XXXXXXXXXXXXX</td></tr>
<tr><td style="border:5 solid blue">XXXXXXXXXXXXX</td><td>XXXXXXXXXXXXXXXXXXXXXXXXXXXXX</td></tr>
```

- Cellpadding and Cellspacing:

1. Cellpadding:

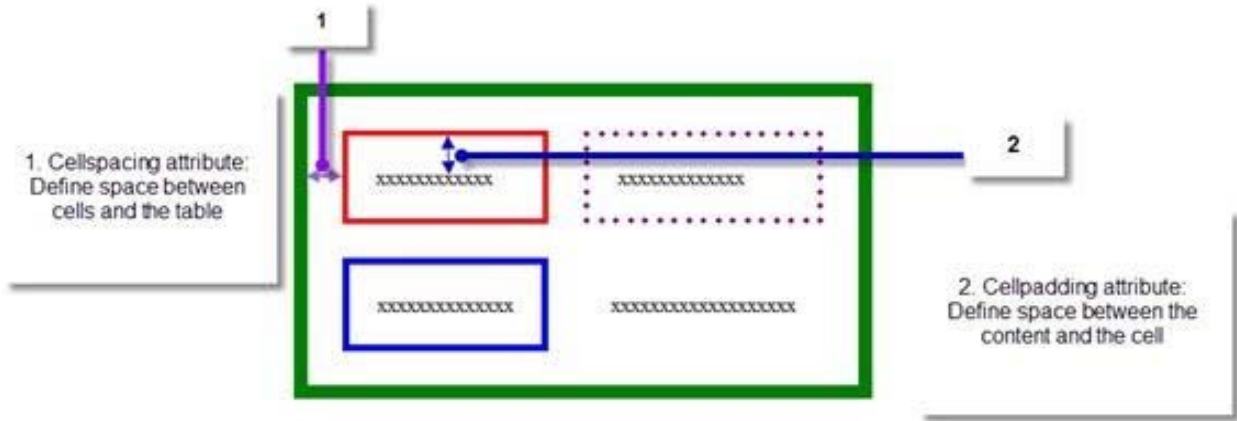
Cellpadding is an attribute of <table> tag. By using cellpadding attribute you can set the amount of space between the contents of the cell and the cell wall.

Ex:- <table cellpadding="4">

2. Cellspacing:

Cellspacing is also an attribute of <table> tag. By using cellspacing attribute you can set the amount of space between the table cells.

Ex:- <table cellspacing="4">



HTML code for this table:

```
<table cellpadding="20" cellspacing="25" style="border:10 solid green"><tr><td style="border:4 solid red">
xxxxxxxxxxxx</td><td style="border:5 dotted purple">xxxxxxxxxxxx</td></tr>
<tr><td style="border:5 solid blue">xxxxxxxxxxxx</td><td>xxxxxxxxxxxxxxxxxxxx</td></tr></table>
```

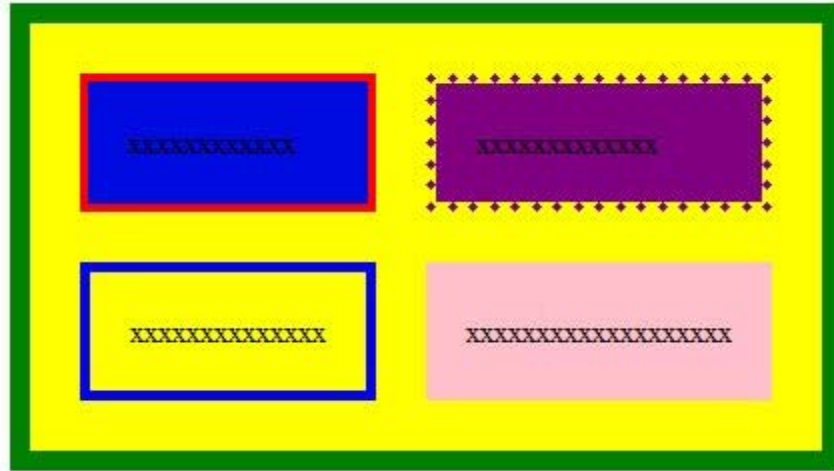
**ADDING BACKGROUND COLOR and IMAGE to TABLE**

- **BACKGROUND COLOR:**

You can background color to your table and cells simply by using "bgcolor" attribute.

```
<center><table bgcolor="yellow" cellpadding="20" cellspacing="25" style="border:10
solid green">
<tr><td bgcolor="light blue" style="border:4 solid red">xxxxxxxxxxxx</td>
<td bgcolor="purple" style="border:5 dotted purple">xxxxxxxxxxxx</td></tr>
<tr><td style="border:5 solid blue">xxxxxxxxxxxx</td>
<td bgcolor="pink">xxxxxxxxxxxxxxxxxxxx</td></tr>
```

`</table>`



- **BACKGROUND IMAGE:**

If you think that adding colors as a background in you table is not so appealing, then no problem. You can use background attribute to add any images as background of your table or to each cell separately.

## ADDING LISTS to YOUR WEB PAGE

There are three types of lists in HTML:-

- Unordered Lists
- Ordered Lists
- Definition Lists

### UNORDERED LISTS

An unordered list starts with the `<ul>` tag and each list item starts with the `<li>` tag.

Example:-

```
<ul>
<li>List number 1</li>
<li>List number 2</li>
<li>List number 3</li>
```

`</ul>`

Output:- All the list items written within `<li>` tag will be displayed with bullets. If you want to change the shape of these bullets from circle to square then use "type" attribute.



Example:-

```
<ul type="square">  
<li>List number 1</li>  
<li>List number 2</li>  
<li>List number 3</li>  
</ul>
```

Output:- Try using "disc" value in "type" attribute!



## ORDERED LIST

An ordered list starts with the `<ol>` tag and each list start with `<li>` tag.

## DEFINITION LIST

Definition list contains list of items with a description or definition of each item. Every definition list start with `<dl>` tag and ends with `</dl>` tag.

`<dt>` tag which is used within the `<dl>` tag defines a definition list. `<dd>` tag which is used within `<dt>` tag defines the description for each list.

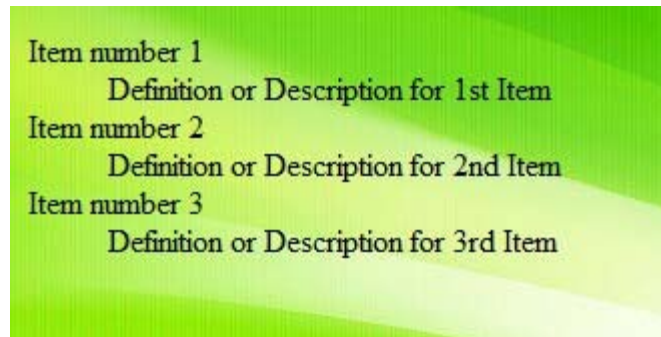
Example:-

`<dl>`



```
<dt>Item number 1</dt>
<dd>Definition or Description for 1st Item</dd>
<dt>Item number 2</dt>
<dd>Definition or Description for 2nd Item</dd>
<dt>Item number 3</dt>
<dd>Definition or Description for 3rd Item</dd>
</dl>
```

Output:-



## ADDING COMMENTS to HTML CODE

The comment tag is used to add comments to your HTML code or source code. Contents within these tags are not displayed by the browser. Comment tag is just used to keep you HTML code confusion free or add description if youR Web Page has very complex source code. Adding comment tag helps you when you edit the code for updating your web page.

Example of Comment tag:-

```
<!--Text within these tags are not displayed by the Web Browser-->
```

WHAT YOU LEARNED in THIS STEP

- How to add links, make images clickable and give name to any section of web page.
- How to add table and customize it.
- How to add ordered, unordered, definition and nested list.

Step 5ADD MORE EFFECTS to TEXT and YOUR WEB PAGE

ADD HORIZONTAL LINE

If you want to add a horizontal line in your web page, then you have to use <hr> tag. Its a non-container tag, so you don't need to close it.

Attributes of <hr> tag:

- **Width**:- Assign value in pixel or percentage.
- **Size**:- Assign value in pixel or percentage.
- **Align**:- Assign value ( left, center, right ) to specify the alignment of horizontal line.
- **Color**:- Give color to Horizontal line
- **noshade**:- This attribute specifies that horizontal line should be displayed without shaded.
- **Style**:- You can use this attribute to give dotted or solid border of any color to it.